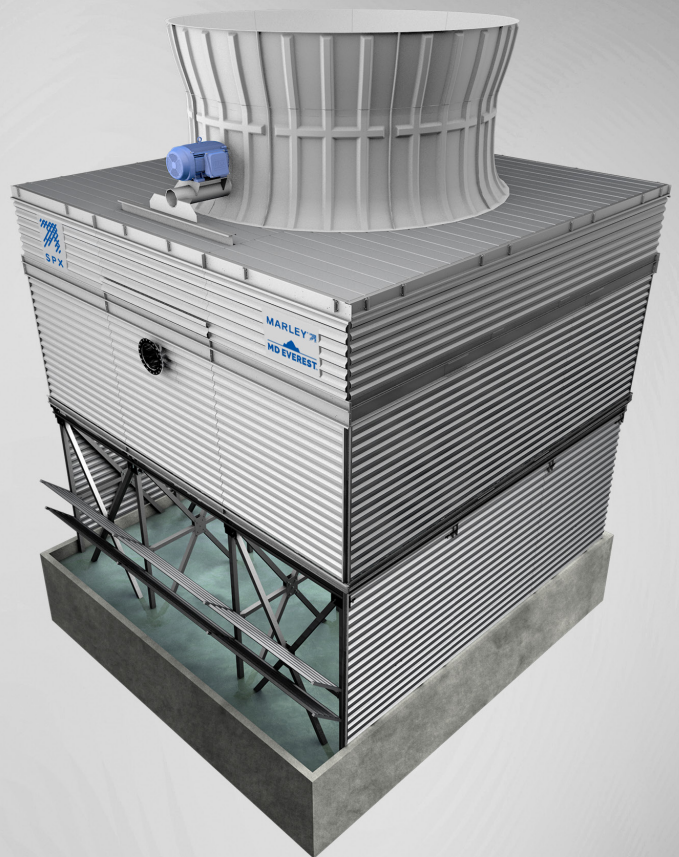
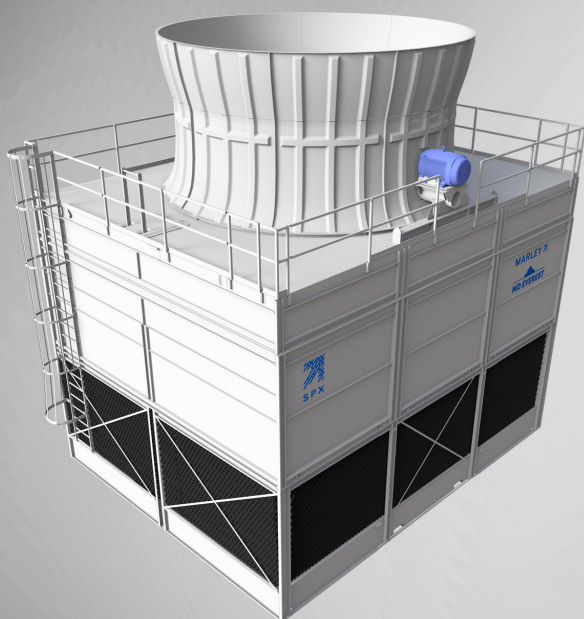


MD Everest®

The High-Capacity Modular Preassembled
Counterflow Cooling Tower

MARLEY® 



MD Everest® Cooling Tower MD5027

Advanced MD Everest Cooling Tower – Factory-Engineered, Preassembled Modules Optimize Installation and Performance

The MD Everest Cooling Tower (MD5027) comprises eight preassembled modules engineered to optimize manufacturing, logistics, on-site installation and lifespan. Uniquely suited for applications with higher cooling demands, including data centers, district energy complexes, health science campuses and industrial complexes, the MD Everest incorporates the robust steel construction of the MD product line, proven to withstand the rigors of harsh environmental exposure.

Whether making mechanical equipment selections for a new project or replacing an existing field-constructed cooling tower, the MD Everest Cooling Tower's preassembled, counterflow, modular design offers significant advantages, including faster delivery, easier installation, and operational features that simplify inspections and maintenance.

INDUSTRIAL-STRENGTH CONSTRUCTION AND MATERIALS

The MD Everest Cooling Tower's robust structure meets seismic and wind load requirements and is designed to meet the rigors of both HVAC and industrial cooling applications using heavy-gauge, corrosion-resistant steel casing and structural members, and Marley heat transfer fill and mechanical components:

- 5-year maintenance-free System 5 Marley Geareducer® gear drive
- Energy-efficient PVC heat exchange fill media
- Motor Outside Airstream (MOA) standard
- 5-year mechanical component warranty

LOGISTICAL ADVANTAGES

The MD5027 cooling tower's innovative 8-module design speeds manufacture and facilitates shipment and delivery. Mechanical components are shipped installed on modules, simplifying onsite construction. Crane lifts do not exceed 8000 lb.

CONSISTENTLY HIGH-QUALITY MANUFACTURE

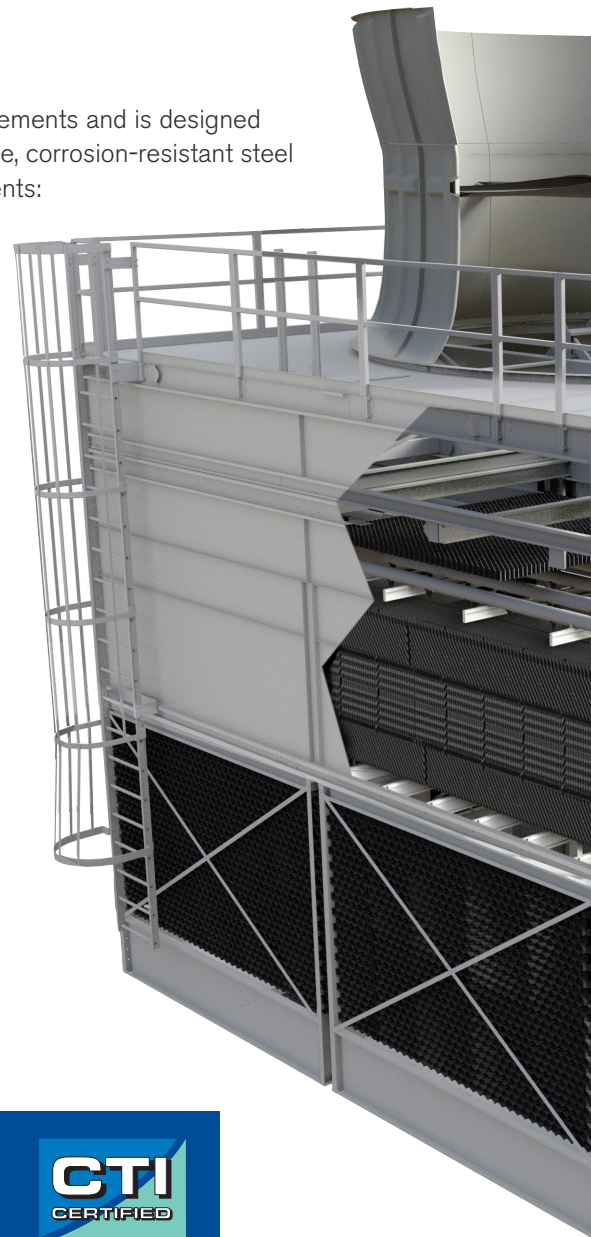
Because MD Everest Cooling Tower modules are crafted and assembled in a controlled factory environment following strict manufacturing standards, the installation quality of the tower is consistently high.

DECADES OF MARLEY MODULAR DESIGN KNOW-HOW

Twenty years of successfully executing modular tower designs and installations, for both process cooling and HVAC applications, confirms the Marley brand's unparalleled knowledge, experience and reputation for proven, innovative products for efficient evaporative cooling.

FM APPROVAL OPTION

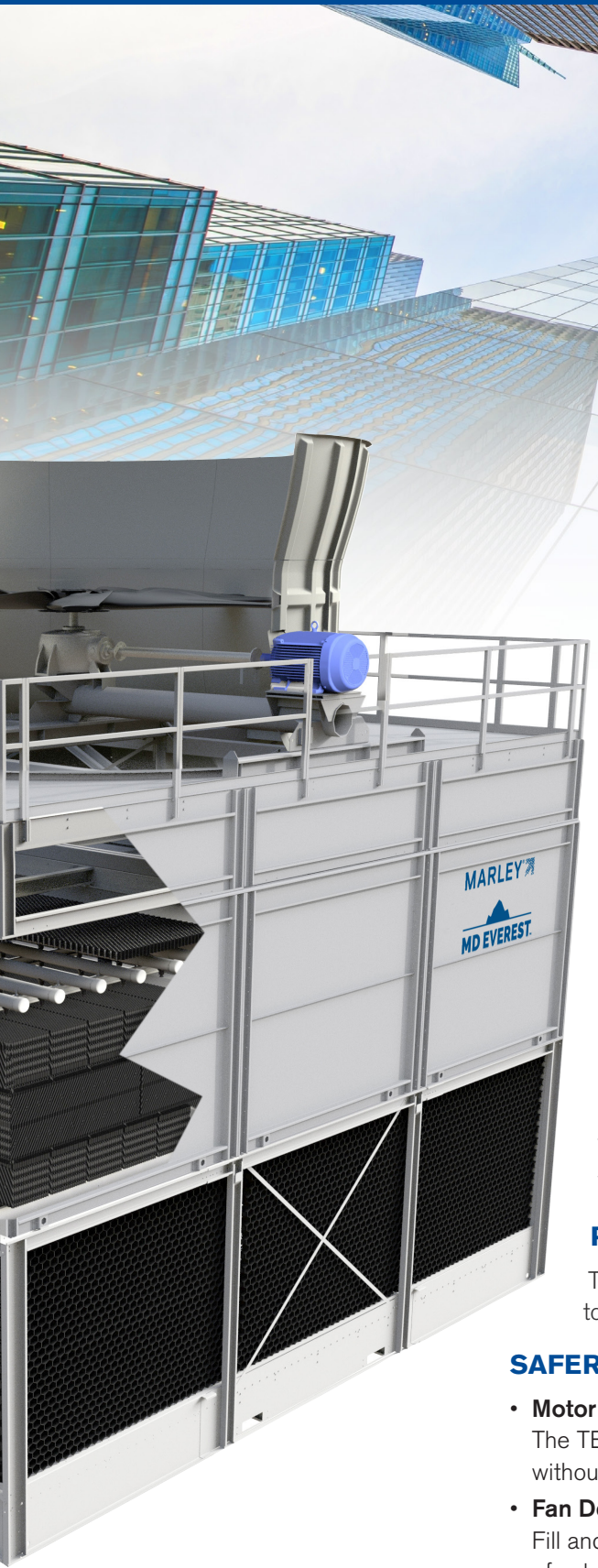
For applications of two or more cells, the MD Everest Cooling Tower conforms to the FM Approval Standard for cooling towers, Class Number 4930.



CERTIFIED THERMAL PERFORMANCE

The MD Everest Cooling Tower is certified by the Cooling Technology Institute to meet thermal performance as specified, eliminating costly site tests.





DELIVERY 60% SOONER AND INSTALLATION 80% FASTER THAN COMPARABLE FIELD CONSTRUCTED COOLING TOWERS

Operations are up and running more quickly because the MD Everest's Cooling Tower modules typically deliver to the site 60% sooner and install in about 20% of the time required for field-erected tower components..

PATENTED SEALING SYSTEM SIMPLIFIES INSTALLATION

Patented vertical seals between modules virtually eliminate leak and alignment issues.

SAFER ASSEMBLY PROCESS

The modular design and simplified field assembly process reduce onsite labor and work duration for a safer work environment.

LOWEST DRIFT

The MD Everest Cooling Tower achieves the lowest measureable drift, down to 0.0005 percent of circulating water flow, so less water escapes the tower.

PROTECTED HEAT TRANSFER MEDIA

The wet fill surfaces are totally enclosed, protecting them from exposure to sunlight to discourage algae growth.

SAFER MAINTENANCE PROCESSES

• **Motor Accessible Outside Airstream (MOA)**

The TEFC motor is located outside the fan cylinder where it is readily accessible without confined-space access.

• **Fan Deck Access Hatch**

Fill and plenum are accessed from a convenient hatch on the fan deck without need of extra platforms.

MD Everest® Cooling Tower MD5030–MD5033–MD5036

MD Everest Models with the Highest Cooling Capacity*

These MD Everest Cooling Tower models offer up to 58% more cooling capacity per cell compared with other preassembled or modular counterflow cooling towers. With capacities up to 3790 tons, the MD Everest Cooling Tower is an ideal one-to-one match for some of the largest chillers. And with a maximum flow rate of 12,602 gpm/cell, it's a strong contender for process cooling applications.

INDUSTRIAL-STRENGTH CONSTRUCTION AND MATERIALS

The MD Everest Cooling Tower's robust structure meets seismic and wind load requirements and is designed to meet the rigors of HVAC and industrial applications using heavy-duty, corrosion-resistant structural members, and Marley heat transfer fill and mechanical components:

- 5-year maintenance-free System 5 Marley Geareducer® gear drive
- Energy-efficient low-clog PVC heat exchange fill media
- Motor Outside Airstream (MOA) standard
- 5-year mechanical component warranty

PROTECTED HEAT TRANSFER MEDIA

The wet fill surfaces are totally enclosed, protecting them from exposure to sunlight to discourage algae growth.

MOTOR ACCESSIBLE OUTSIDE AIRSTREAM

The TEFC motor is located outside the fan cylinder where it is readily accessible for maintenance without confined-space access.

MODULAR DESIGN ADVANTAGES

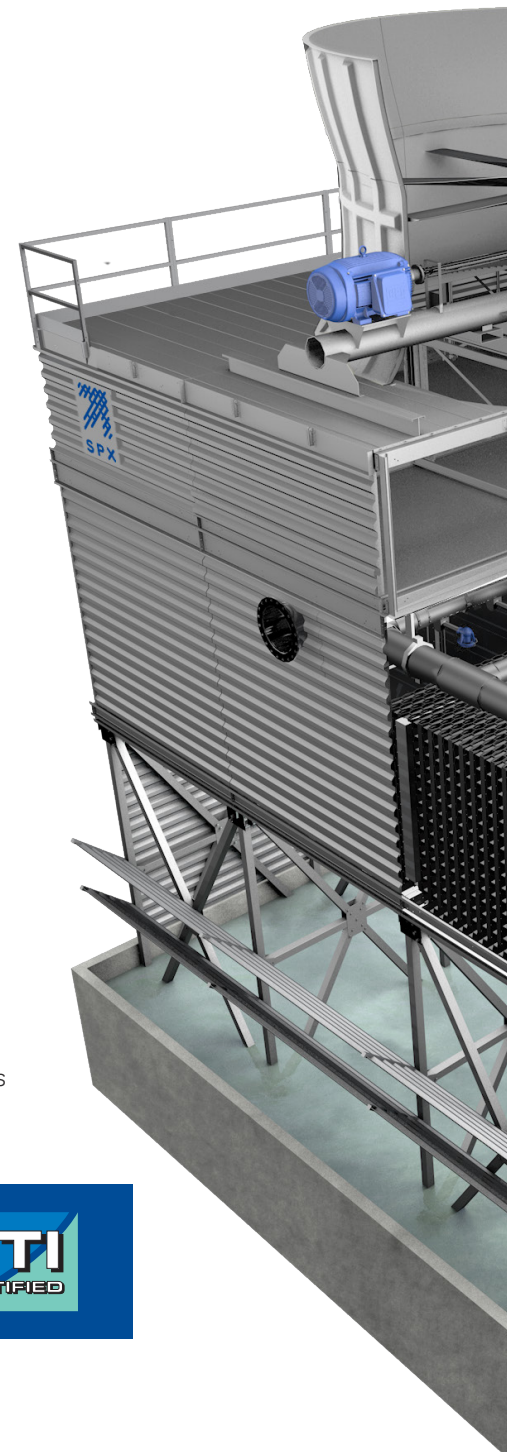
The MD Everest Cooling Tower's innovative design speeds manufacture, delivery and installation.

CONSISTENT QUALITY

Because MD Everest tower modules are built and assembled in a controlled factory environment following strict manufacturing standards, the installation quality of the tower is consistently high.

ADAPTS TO VARYING WATER QUALITY

These MD Everest Cooling Tower models can employ a range of fill types to accommodate various sources of water.

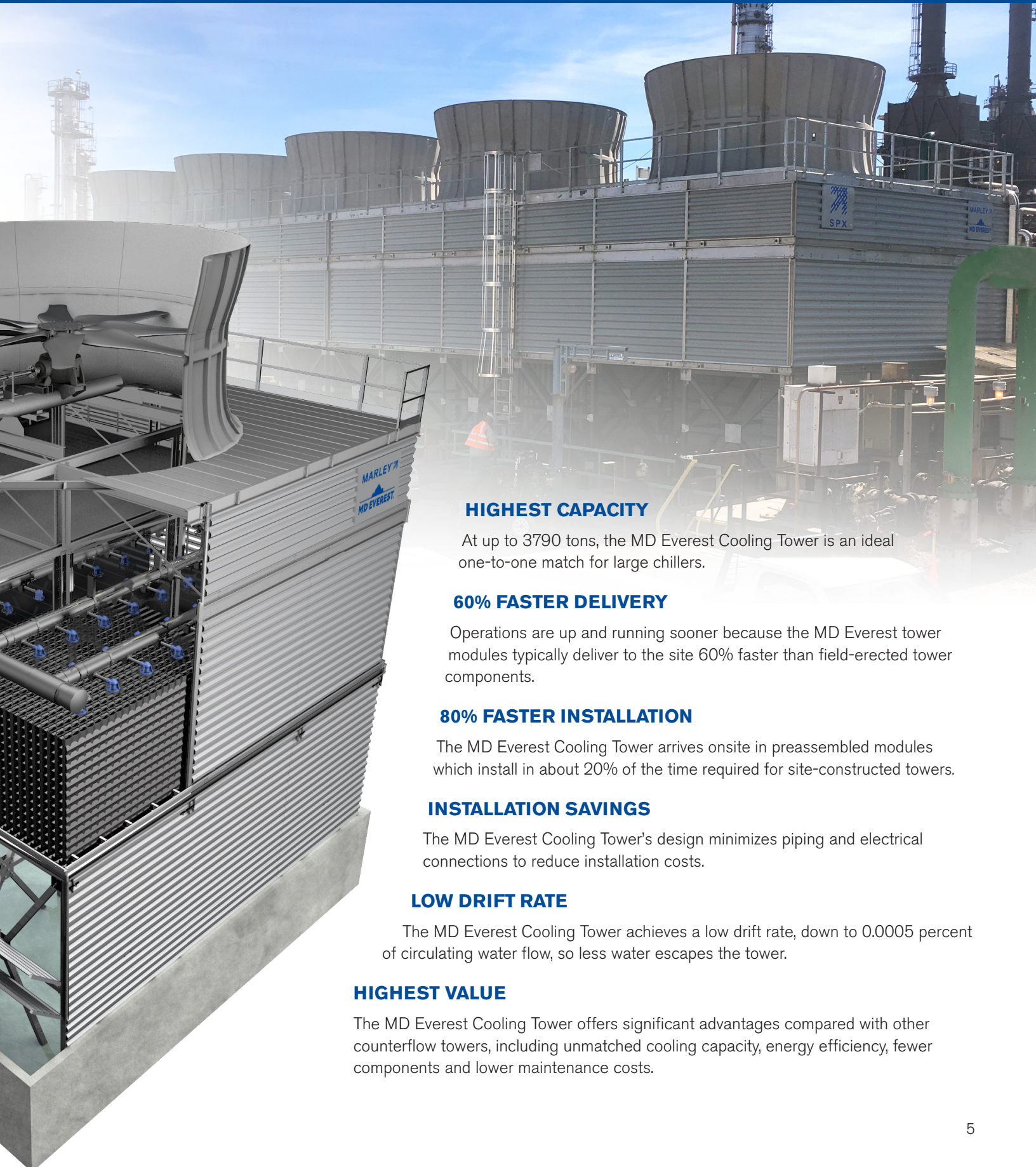


CERTIFIED THERMAL PERFORMANCE

The MD Everest Cooling Tower is certified by the Cooling Technology Institute to meet thermal performance as specified and eliminates costly site tests.



*Compared to other single-cell, preassembled, counterflow cooling towers.



HIGHEST CAPACITY

At up to 3790 tons, the MD Everest Cooling Tower is an ideal one-to-one match for large chillers.

60% FASTER DELIVERY

Operations are up and running sooner because the MD Everest tower modules typically deliver to the site 60% faster than field-erected tower components.

80% FASTER INSTALLATION

The MD Everest Cooling Tower arrives onsite in preassembled modules which install in about 20% of the time required for site-constructed towers.

INSTALLATION SAVINGS

The MD Everest Cooling Tower's design minimizes piping and electrical connections to reduce installation costs.

LOW DRIFT RATE

The MD Everest Cooling Tower achieves a low drift rate, down to 0.0005 percent of circulating water flow, so less water escapes the tower.

HIGHEST VALUE

The MD Everest Cooling Tower offers significant advantages compared with other counterflow towers, including unmatched cooling capacity, energy efficiency, fewer components and lower maintenance costs.

MD Everest® Cooling Tower Specifications

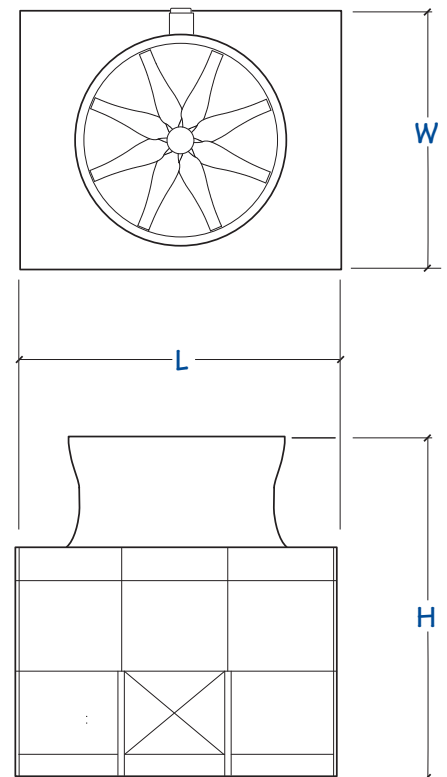
Model MD5027

PRODUCT PARAMETERS PER CELL

Model	MD5027
Cooling Capacity*	2387 tons (10,457 kW)
Dimensions	L 30'-0" (9.1m) W 24'-2" (7.4m) H 28'-9" – 31'-9" (8.8 – 9.7m)
Maximum Flow Rate	8,537 gpm (1,939 m ³ /hr)
Drift Rate	Per industry standard, as low as 0.0005% of circulating water flow

*Based on 3 gpm/ton at 95°F HW - 85°F CW - 78°F WB; varies depending on configuration

Modules	8
Fan Diameter	216" (5.5m)
Total Height	28'-9" – 31'-9" (8.8 – 9.7m)
Fan Deck Height	21'-6" (6.6m)
Shipping Weight	50,000 lb (22,680 kg)
Operating Weight	80,000 lb (36,287 kg)
Maximum Lift Weight	8,000 lb (3,629 kg)
Module Connections	32 locations

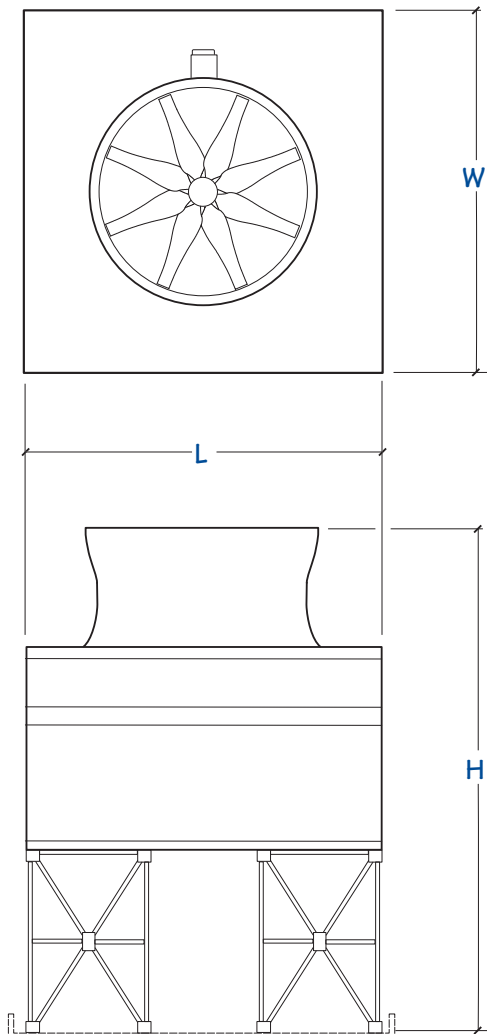


Models MD5030–MD5033–MD5036

PRODUCT PARAMETERS PER CELL

Model	Cooling Capacity*	Maximum Flow Rate	Length	Width	Height
MD5030	2653 tons (11663 kW)	8702 gpm (1976 m ³ /hr)	30'-0" (9.3m)	30'-0" (9m)	varies
MD5033	3023 tons (13289 kW)	10470 gpm (2378 m ³ /hr)	36'-0" (11m)	30'-0" (9m)	
MD5036	3790 tons (16676 kW)	12602 gpm (2862 m ³ /hr)	36'-0" (11m)	36'-0" (11m)	

*Based on 3 gpm/ton at 95°F HW - 85°F CW - 78°F WB; varies depending on configuration



Model	Fan Diameter	Total Height	Operating Weight
MD5030	216" (5.5m)	30'-6" – 36'-6" (9.3 – 11.1m)	75,000 lb (34,030 kg)
MD5033	216" (5.5m)	28'-6" – 37'-6" (8.4 – 11.4m)	90,000 lb (40,835 kg)
MD5036	288" (7.3m)	28'-6" – 39'-6" (8.7 – 12.0m)	115,000 lb (52,117 kg)

Model	Shipping Weight	Maximum Lift Weight
MD5030	50,000 lb (22,686 kg)	8,500 lb (3,857 kg)
MD5033	60,000 lb (27,223 kg)	11,000 lb (4,990 kg)
MD5036	85,000 lb (38,566 kg)	12,000 lb (5,444 kg)

UNMATCHED VALUE

The MD Everest Cooling Tower offers significant advantages compared with other factory-assembled counterflow towers, including expanded cooling capacity, energy efficiency, fewer components, and lower maintenance costs.

ADDITIONAL MARLEY COOLING TOWER PUBLICATIONS

Access these publications and more information at spxcooling.com



Marley NC Everest
Cooling Tower Brochure



Marley MD
Cooling Tower Brochure



Marley Products and
Services Brochure



Factory-Assembled
Cooling Towers for Power
and Industrial Applications

SPX COOLING TECHNOLOGIES, INC.

7401 WEST 129 STREET
OVERLAND PARK, KS 66213 USA
913 664 7400 | spxcooling@spx.com
spxcooling.com

MDE-20A | ISSUED 10/2020

©2018-2020 SPX COOLING TECHNOLOGIES, INC. ALL RIGHTS RESERVED.

In the interest of technological progress, all products are subject to design
and/or material change without notice.